

ACCELEVATION CONTAINMENT PRODUCTS

ASSEMBLY MANUAL



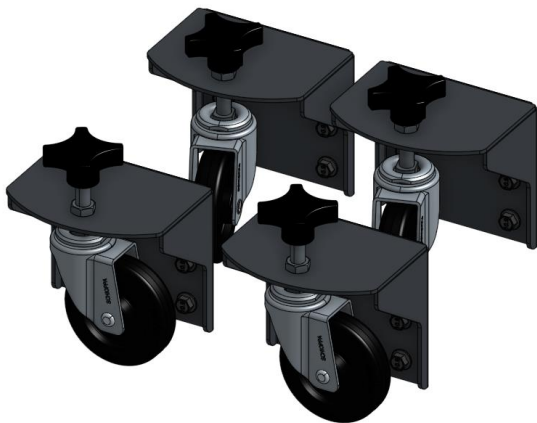
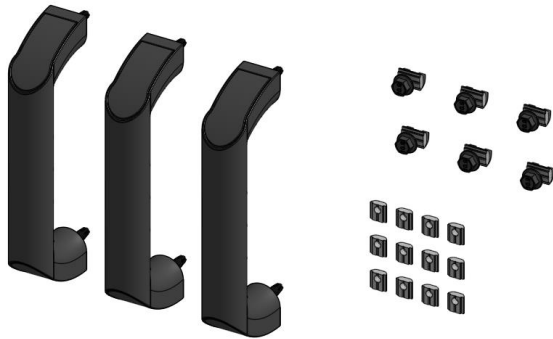
Containment Booth

Tools Required

1. 10mm Socket and Wrench
2. 5mm Allen Wrench
3. #2 Phillips Head Screwdriver

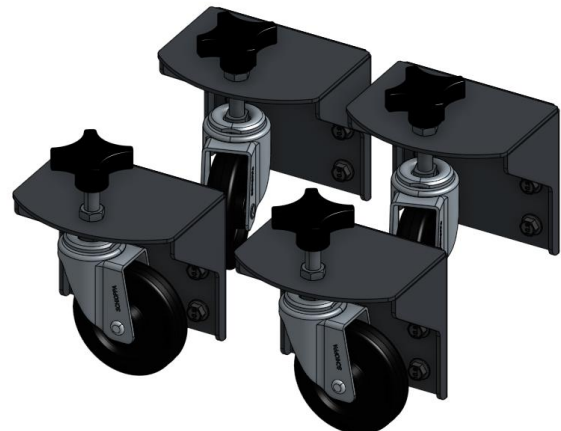
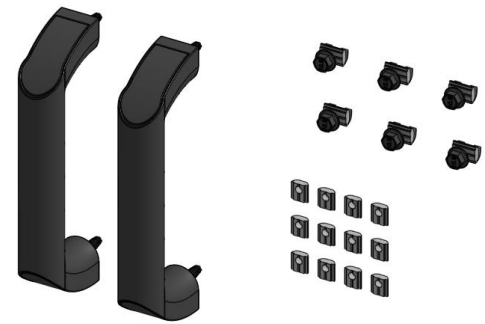
Hardware Kits

Large Containment Booth Install Kit



1. (6x) 1/4"-20 Thread-Cutting Screw
2. (3x) 160mm Plastic Pull Handle
3. (4x) Drop Down Caster Assembly
4. (22x) M6x12 Flanged Hex Head Screw
5. (22x) T-Slot Nut, Center Hole
6. (12x) T-Slot Nut, Offset Hole

Small Containment Booth Install Kit



1. (4x) 1/4"-20 Thread-Cutting Screw
2. (2x) 160mm Plastic Pull Handle
3. (4x) Drop Down Caster Assembly
4. (22x) M6x12 Flanged Hex Head Screw
5. (22x) T-Slot Nut, Center Hole
6. (12x) T-Slot Nut, Offset Hole

Assembly Instructions

1. Fix Side Panels to the Front Panel by threading (4x) T-Matic Screws through pre-installed T-Matic Sleeves at the top and bottom of each Side Panel into Offset-hole T-Slot Nuts in the rear slots on the Front Panel.

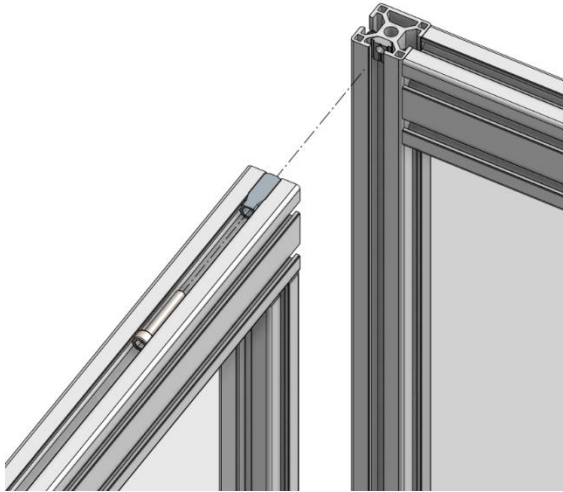


Figure 1. Top of Side Panel into Front Panel

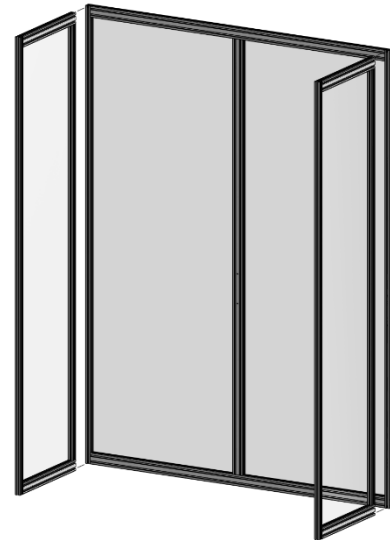


Figure 2. Side Panels to Front Panel

2. Attach the Rear Bottom Rail and the Rear Top Rail between the Side Panels by threading (2x) T-Matic Screws through the (2x) T-Matic Sleeves at the end of each rail into (2x) T-slot nuts in the inner slot of the Side Panels.

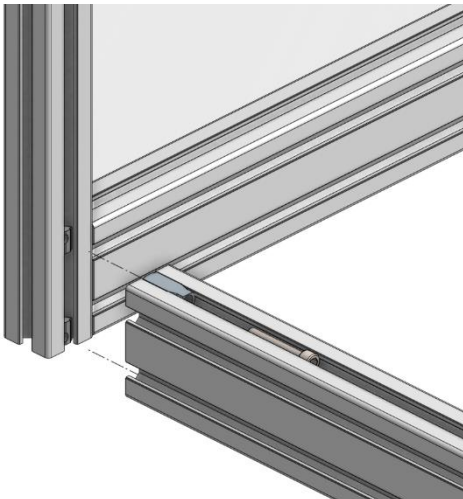


Figure 3. Attaching Rear Bottom Rail

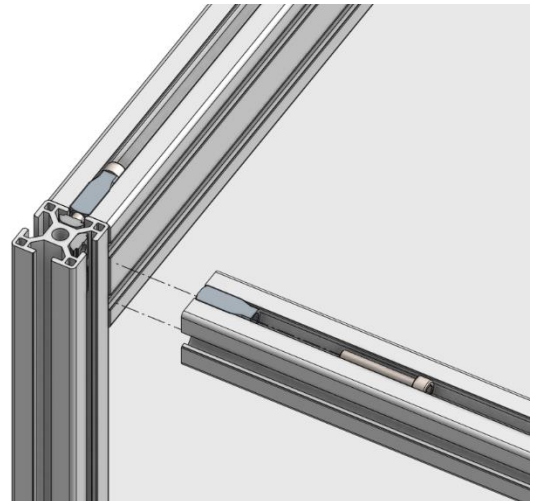


Figure 4. Attaching Rear Top Rail

3. Attach the 160mm Plastic Pull Handles by fastening (2x) 1/4"-20 Thread-Cutting Screws per handle into the pre-drilled holes on the Front Panel.
4. Fix the Caster Assemblies to the front faces of the Rear Bottom Rail and Front Panel bottom rail using (4x) M6 screws and (4x) Center-Hole T-slot nuts per Caster Assembly.

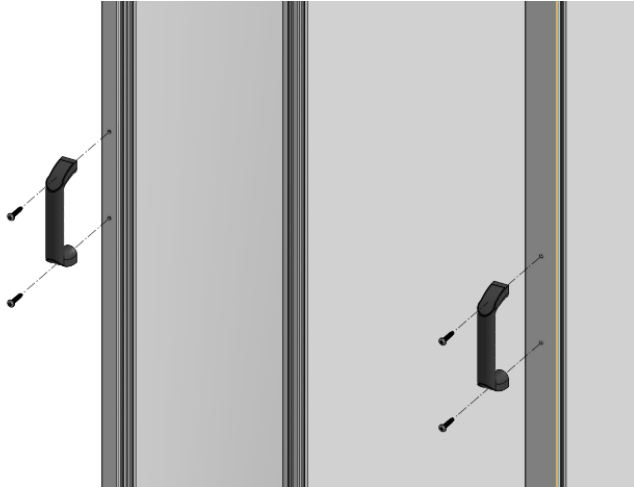


Figure 5. Attaching Plastic Pull Handles

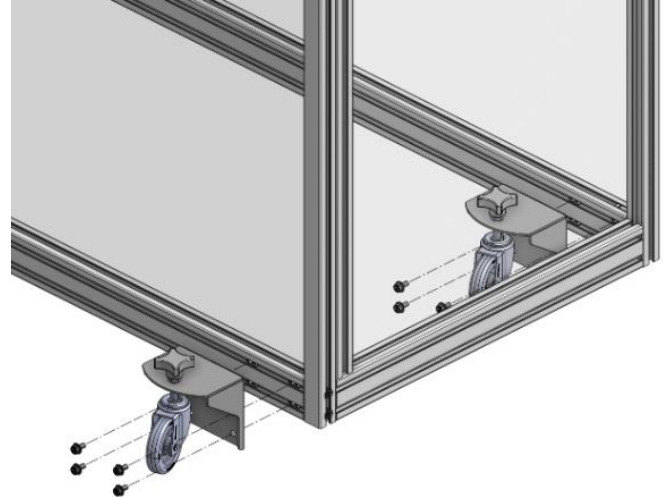


Figure 6. Attaching Caster Assemblies

5. Adhere the D-Gasket to the Rear Top Rail.



Figure 7. Adhesive-backed D-Gasket

6. (OPTIONAL) Fix the Roof Panel Flange to each Side Panel, centered along the panel's width, with (3x) M6 bolts and (3x) Center-Hole T-Slot nuts.



Figure 8. Attaching Roof Panel Flange

7. (OPTIONAL) Place the Roof Panel on the Roof Panel Flanges and fix in place with the quick release clips.

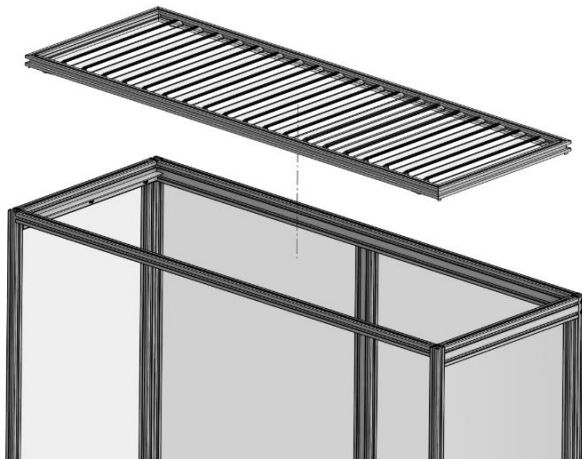


Figure 9. Inserting Roof Panel



Figure 10. Fixing Roof Panel with Ludwig Clips