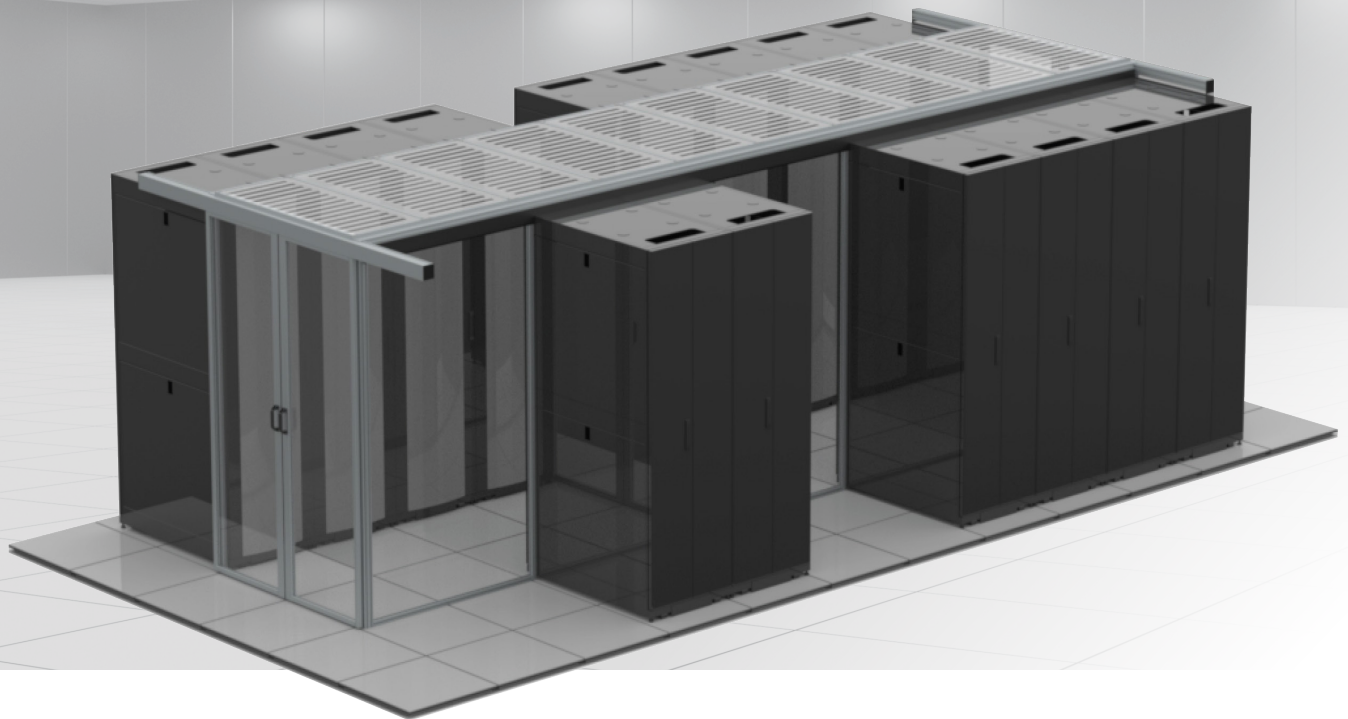


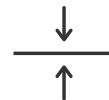
DROP TILE CONTAINMENT ROOF



STANDARD FEATURES

The Accelelevation Drop Tile Containment Roof system is the most versatile containment roof system available. It can be customized to work around any situation and can be mounted in a variety of ways including directly on the cabinets, suspended from above, or as part of a complete containment solution. The framed drop tile panels are easy to remove and replace for quick access above.

- Custom Sized (to 1/8")
- Rigid Design
- Drop Tile Inserts
- Framed Removable Tiles
- Easy Installation
- Modular Design
- Black or Clear Anodized Finish



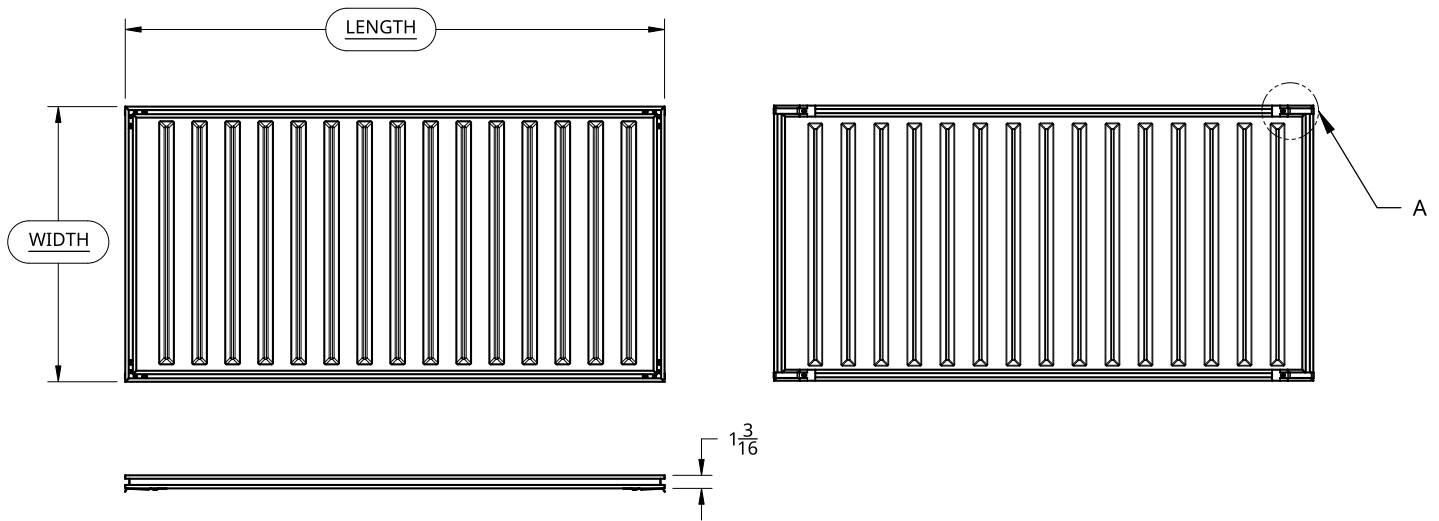
Low Profile



Modular



Customizable



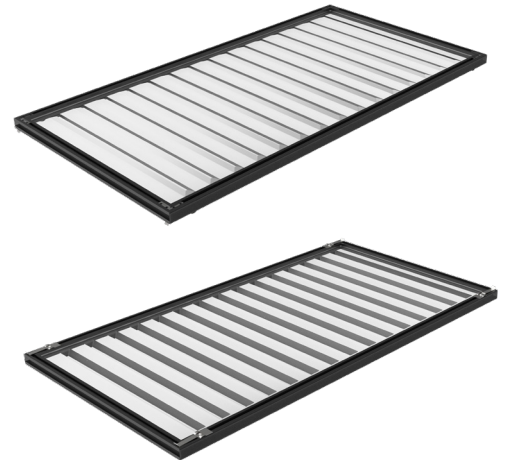
DROP TILE CONTAINMENT ROOF – PRODUCT SPECIFICATIONS

FRAMEWORK

Aluminum Extrusion	Tensile Strength	27,000 PSI
--------------------	------------------	------------

INSERTS

Clear Polyvinyl Chloride	Flame Rating	ASTM E84 Class A
	Smoke Development	ASTM E84 Class A
Insert Certifications	UES Listed, CalFire Listed, UL Listed, FM Global	



- Can be Installed Under Fire Suppression
- Inserts are Clear for Lighting and Visibility
- Able to be Used with a Variety of Containment Systems
- Useful in Conjunction with Any Containment Provider's Doors and Panels
- Drop Tiles are Framed for Easy Removal, Storage, and Replacement—Secured with Thumb Screws
- Tiles are Framed to Prevent Air Leakage and to Maintain Containment under High Pressure
- Framing Designed to Hold the Panels in Place but to Also Allow the Panels to Drop in a Fire Event
- Customizable to Almost Any Situation
- Extra Large Options Available
- Lighting and Security Systems can be Easily Integrated
- Retrofit Kits Available to Convert Many Existing Roof Systems to a Framed Panel System